

# SPLIT PHASE LV SERIES

110-120V / 220-240V Hybrid Solar Inverter

Suitable for use in USA/Puerto Rico, and Canada where split phase power standard is used.

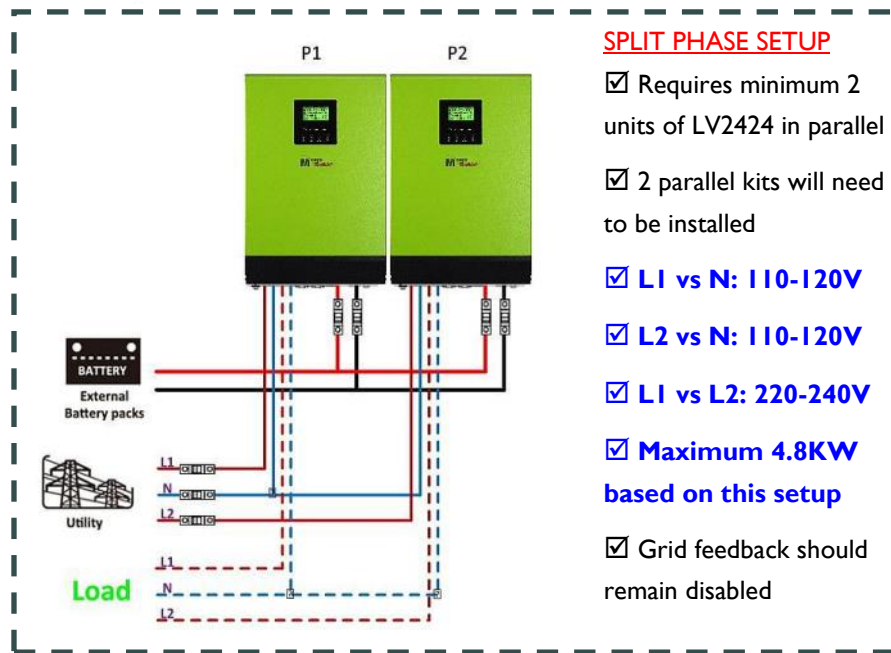
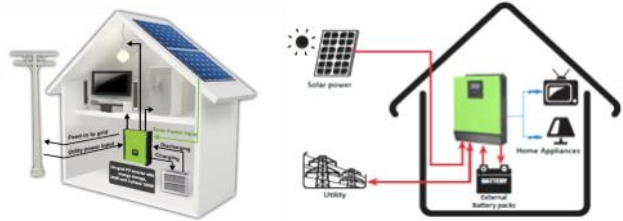


## MAIN FEATURES

- **SPLIT PHASE output** capable 110-120V/220-240V (requires 2 units in parallel, max 4.8kw)
- Pure sine wave output 2.4kw, 24VDC
- Ideal for off-grid or grid optional application
- MPPT built-in solar charger max up to 80A
- Max PV input volt 145V
- Max PV input power up to 2KW
- Utility charging up to 60A max
- Parallel operation up to 9 units max\*
- Supports generator input\*\*
- Programmable parameters
- Wide AC input range
- Lightweight, easy to install
- FREE monitoring software
- LCD Display + LED indicators
- USB, RS232 communication interface

\*8 units max per phase in 2-phase / 7 units max per phase in 3-phase

\*\* requires inverter-type generator of acceptable output quality and grid-injection must be disabled



### SPLIT PHASE SETUP

- Requires minimum 2 units of LV2424 in parallel
- 2 parallel kits will need to be installed
- L1 vs N: 110-120V**
- L2 vs N: 110-120V**
- L1 vs L2: 220-240V**
- Maximum 4.8KW based on this setup**
- Grid feedback should remain disabled

## Split Phase LV SERIES

## LV 2424

### STANDARD RATING

Continuous Output	2400W
System DC Volt	24VDC

### Split Phase Capable

**YES (requires minimum 2 units in parallel)**

### Maximum Parallel

9 units max\*

### PV INPUT / SOLAR CHARGING

Max PV Input Power	2000w
Max PV Input Volt	145VDC (open circuit Voc)
MPPT Range	30 - 115VDC
Number of PV Input	1
Max Charging Current	80A

### BATTERY OUTPUT MODE

Output Waveform	Pure Sine Wave
Nominal Output Volt	101/110/120 VAC, Single Phase
Frequency	50 / 60Hz, auto-sensing
AC Input Transfer Relay	40A
Max Efficiency	>95%
Max Utility Charging	60A
Max Utility + Solar Charging	140A

### ENVIRONMENTAL / MECHANICAL SPECIFICATIONS

Communication Port	USB / Dry Contact
Operating Temp.	0 - 50°C
Operating Humidity	0 - 90% RH (No Condensing)
Dimension	468*295*120
Net Weight	11Kg

MPP Solar Inc. reserves the right to change product specification without notice.